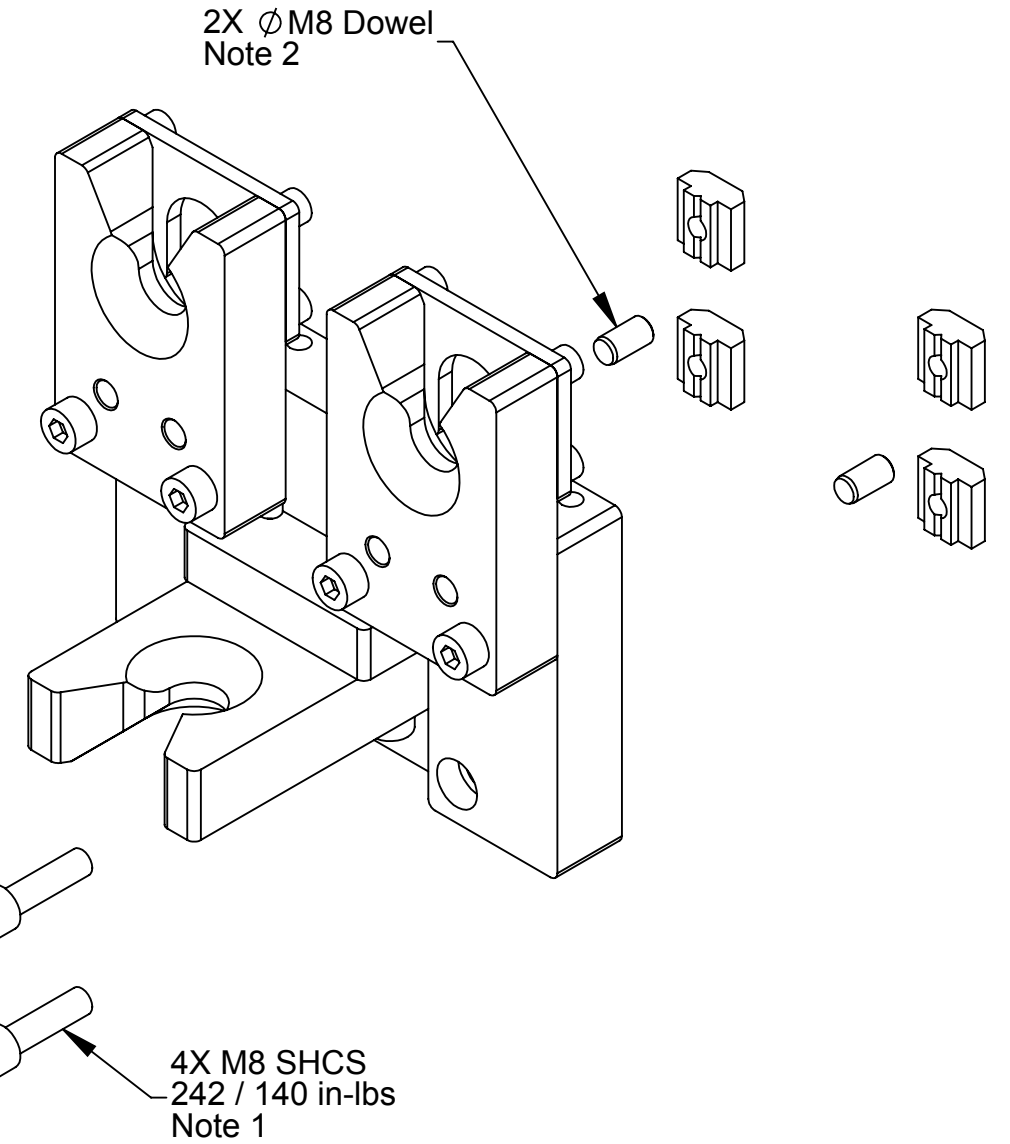
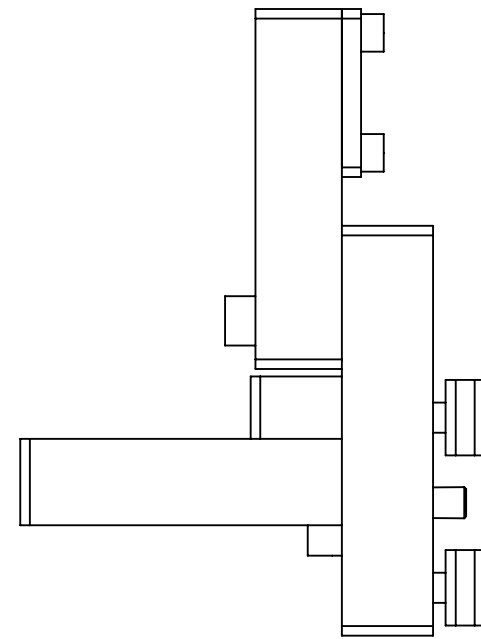
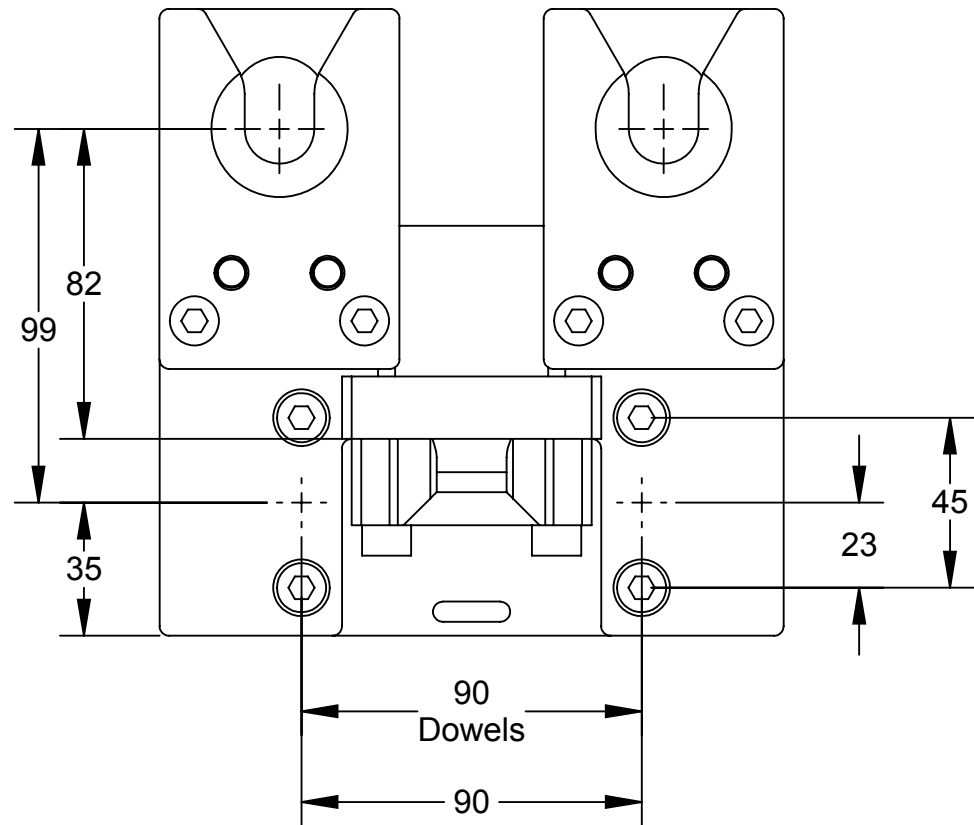
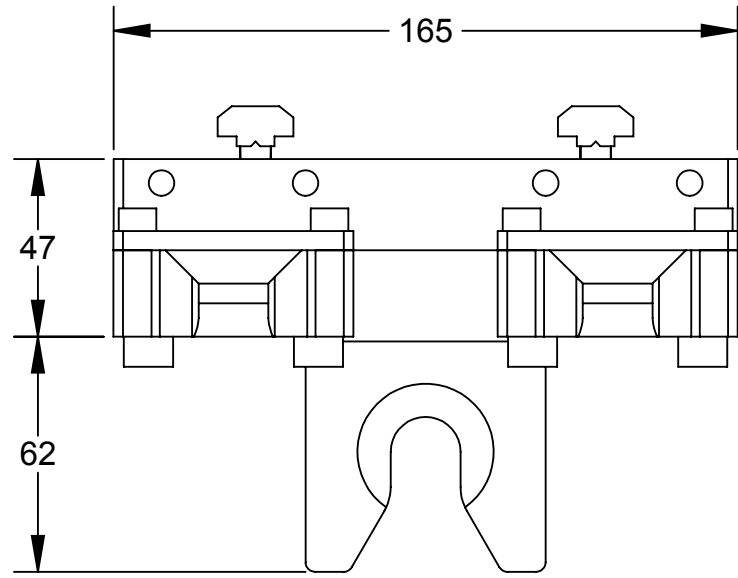


Rev.	Description	Initiator	Date
01	Initial Drawing	JMW	12/03/2013



**Notes:**

1. Customer to use Loctite or similar threadlocker and torque fasteners to listed torque.
2. Customer to press dowels into mounting plate if needed.

NOTES: UNLESS OTHERWISE SPECIFIED.

DO NOT SCALE DRAWING. ALL DIMENSIONS ARE IN MILLIMETERS.



3rd ANGLE PROJECTION



1031 Goodworth Drive, Apex, NC 27539, USA  
 Tel: +1.919.772.0115 Email: info@ati-ia.com  
 Fax: +1.919.772.8259 www.ati-ia.com  
 ISO 9001 Registered Company

PROPERTY OF ATI INDUSTRIAL AUTOMATION, INC. NOT TO BE REPRODUCED IN ANY MANNER EXCEPT ON ORDER OR WITH PRIOR WRITTEN AUTHORIZATION OF ATI.

DRAWN BY: J. Winterroth, 12/03/13		TITLE	
CHECKED BY: D. Norton, 12/04/13		TSM Mounting Module, V-Block, Large	
PROJECT # -	SHEET 1 OF 1	SCALE	SIZE
		1:2	B
DRAWING NUMBER		REVISION	
9630-20-TSM-MMV-4018		01	